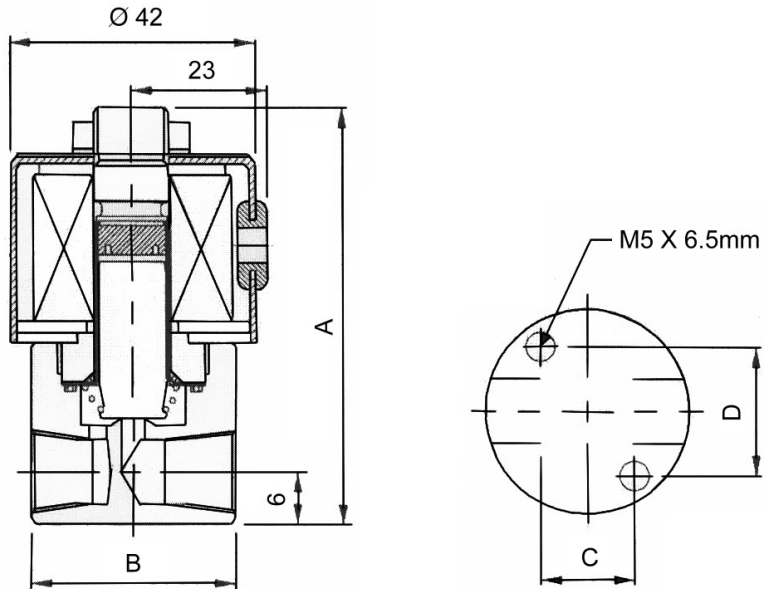


**200 SERIES STAINLESS STEEL
2/2 NC DIRECT ACTING SOLENOID VALVE 1/8" OR 1/4" NPT**



PORTS	A	B	C	D
1/8" NPT	6	3	15.	17.8
	9	0	2	

1/4" NPT	7 0	35	16	22
----------	--------	----	----	----

PORT SIZE	ORIFICE	CV	PRESSURE - PSI			PART CODE
			MIN	MAX - AC	MAX - DC	
1/8" NPT	1/16"	.10	0	580	290	218SSA
	3/32"	.21	0	360	145	218SSB
	1/8"	.33	0	215	115	218SSC
	5/32"	.43	0	130	85	218SSD
1/4" NPT	1/16"	.10	0	580	290	214SSA
	3/32"	.21	0	360	145	214SSB
	1/8"	.31	0	215	115	214SSC
	5/32"	.43	0	130	85	214SSD
	3/16"	.50	0	100	45	214SSE

SEAL MATERIAL

SEAL CODE	SEAL TYPE	FLUID TEMP. RANGE	MEDIA
B	NRB (BUNA N)	-50 TO 122 DEG. F	AIR, WATER, & OIL W/O ADDITIVES
V	VITON	-50 TO 176 DEG. F	AIR, WATER, FUELS, LUBRICANTS, & COOLANTS
E	EPDM	-50 TO 248 DEG. F	HOT WATER/ STEAM, BRAKE FLUID, & HYD. FLUID

ORDERING: PART CODE – SEAL – VOLTAGE EXAMPLE: 218SSA-V-120 VAC